

BAND SPRING ASSEMBLY

HELPFUL HINTS: INSTALLATION HINTS FOR ROLLING STEEL GATES, DOORS & GRILLES

****NOTES**:**

THESE ARE NOT INSTRUCTIONS AND SHOULD NOT BE USED BY PERSONS WHO DO NOT HAVE EXTENSIVE EXPERIENCE IN THE INSTALLATION OF SPRING LOADED ROLLING STEEL DOORS

STEP 1: "MOUNTING ANGLE" Installation

Install wall MOUNTING ANGLES centered on opening, making sure that the angles are level and plumb.
(SEE ILLUSTRATION # 1)

STEP 2: "SLAT GUIDE" Installation

Bolt SLAT-GUIDES to MOUNTING ANGLES using predrilled holes.
(SEE ILLUSTRATION #2 & #3)

STEP 3: "SPRING BAR" Installation

Before lifting SPRING BAR into position, make sure that the spring in the SPRING BAR is in the correct position (SEE ILLUSTRATION #3). Lift the SPRING BAR and lower its ends into the premounted angles on the top of both SLAT-GUIDES. Bolt SPRING BAR to angles.

STEP 4: "SLAT MOUNTING"

Slip four (4) steel SLATS together. Slip start hooks onto top slat, then mount start hooks on the SPRING BOX. Use any rung * except the one occupied by the internal spring.
(SEE ILLUSTRATION #4)

Install remaining SLATS

STEP 5: "THREADING SLATS INTO SLAT-GUIDES"

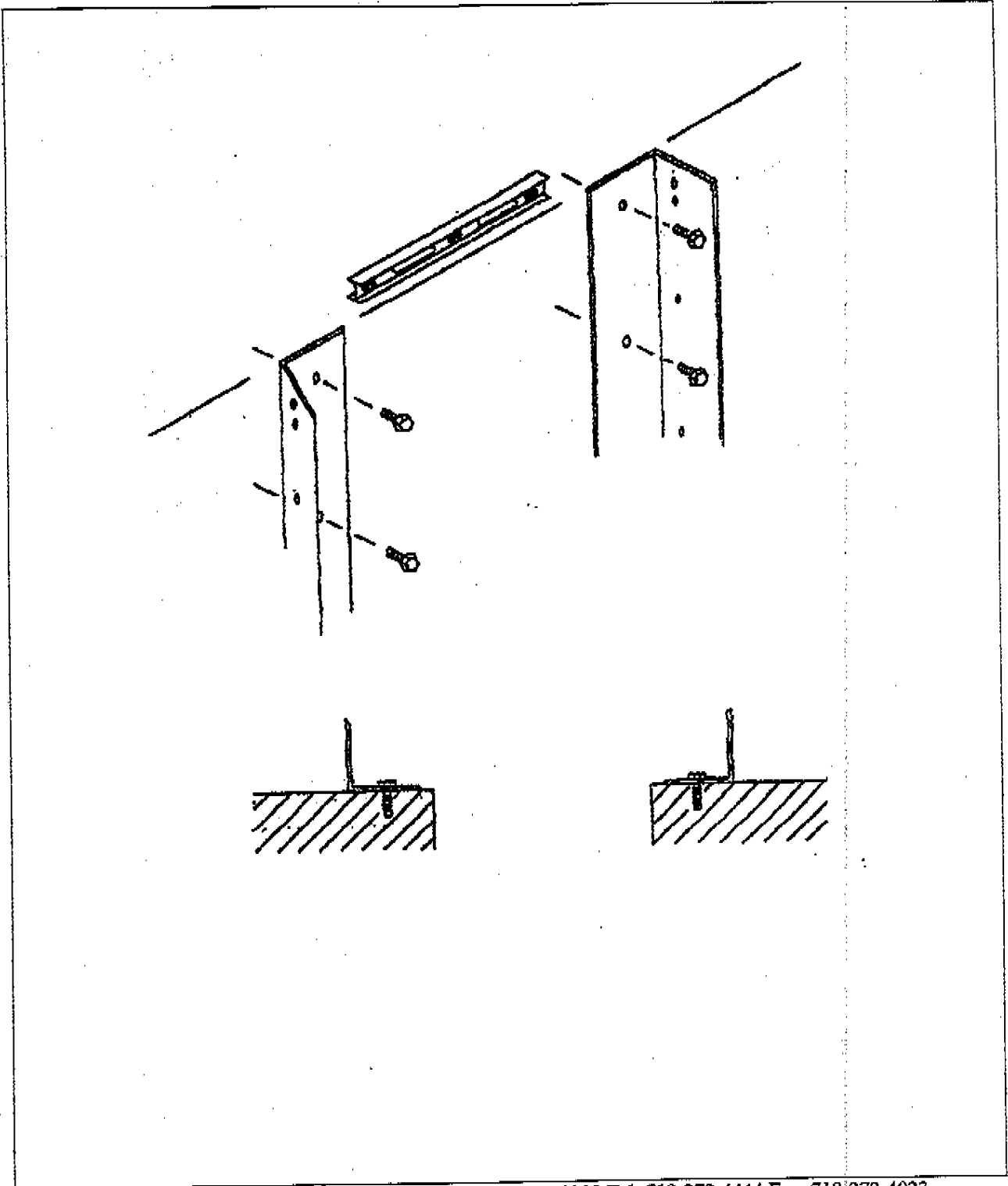
Remove "L"-pins from both sides of SPRING BAR. This will cause SLATS to roll around SPRING BAR. Thread bottom SLAT into both SLAT-GUIDES.

STEP 6:

Drill all necessary looking holes

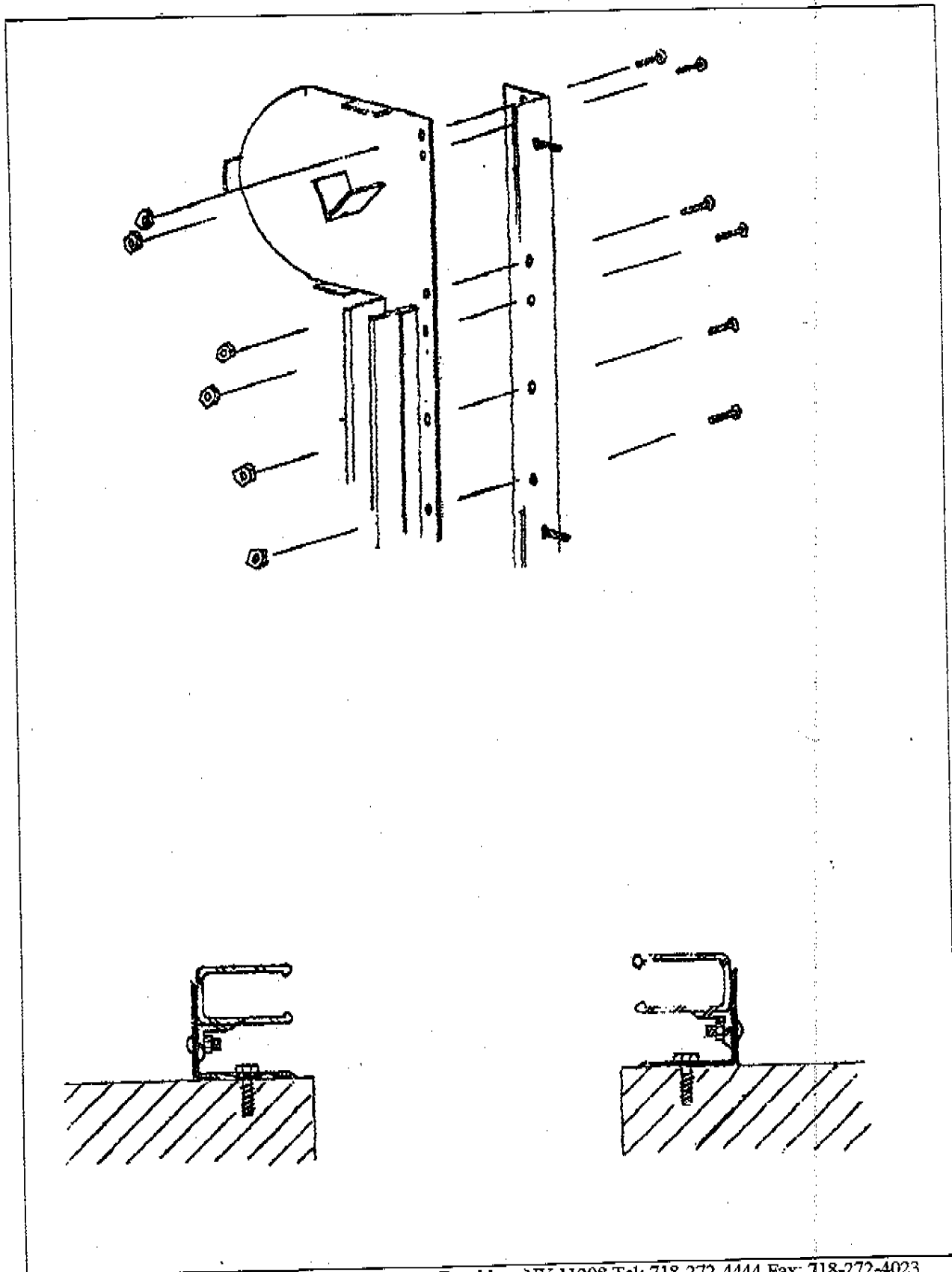
STEP 7:

Check operation and install hood



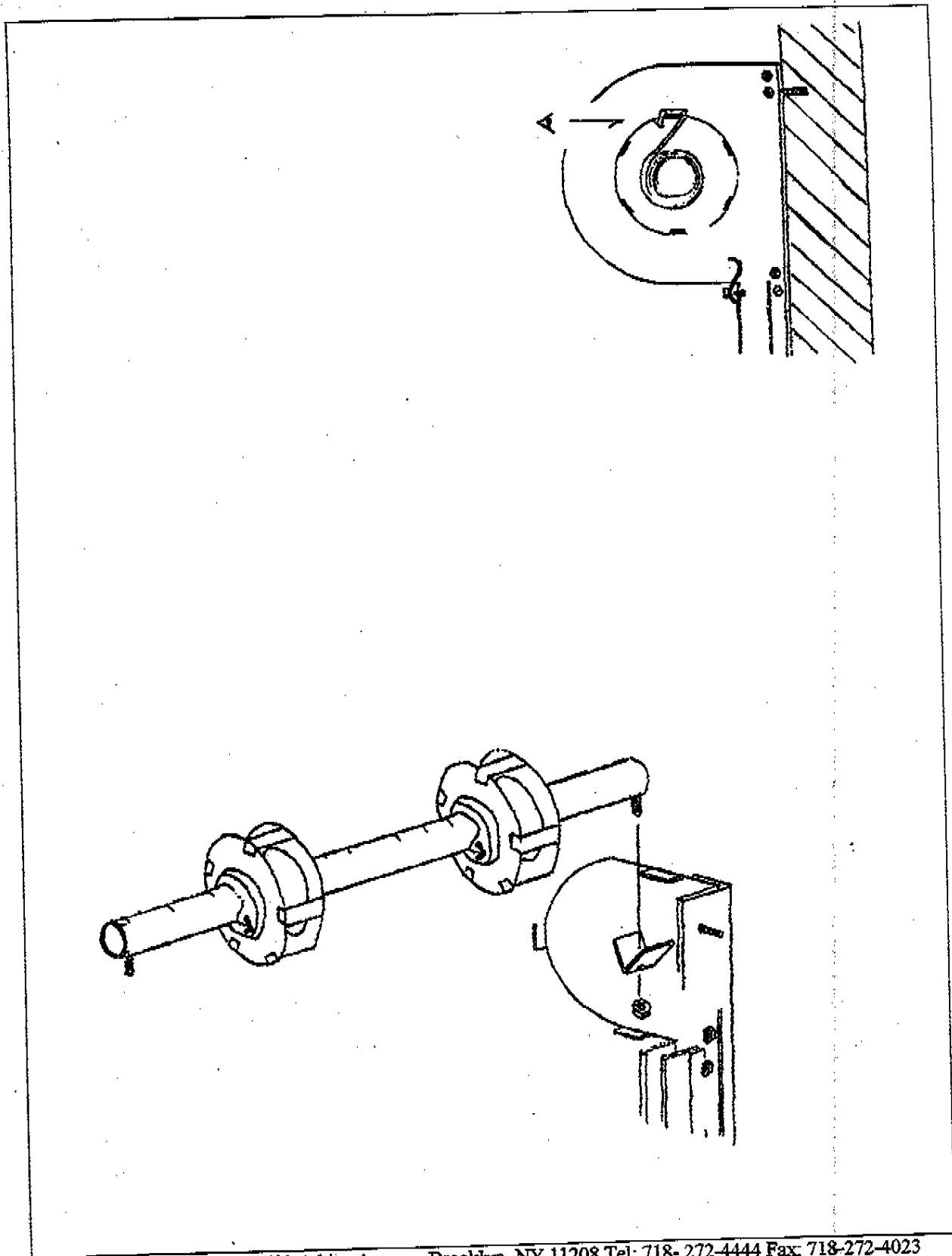
Rolling Steel Industries 693 Atkins Avenue, Brooklyn, NY 11208 Tel: 718-272-4444 Fax: 718-272-4023

Band Spring Installation (STEP 1)



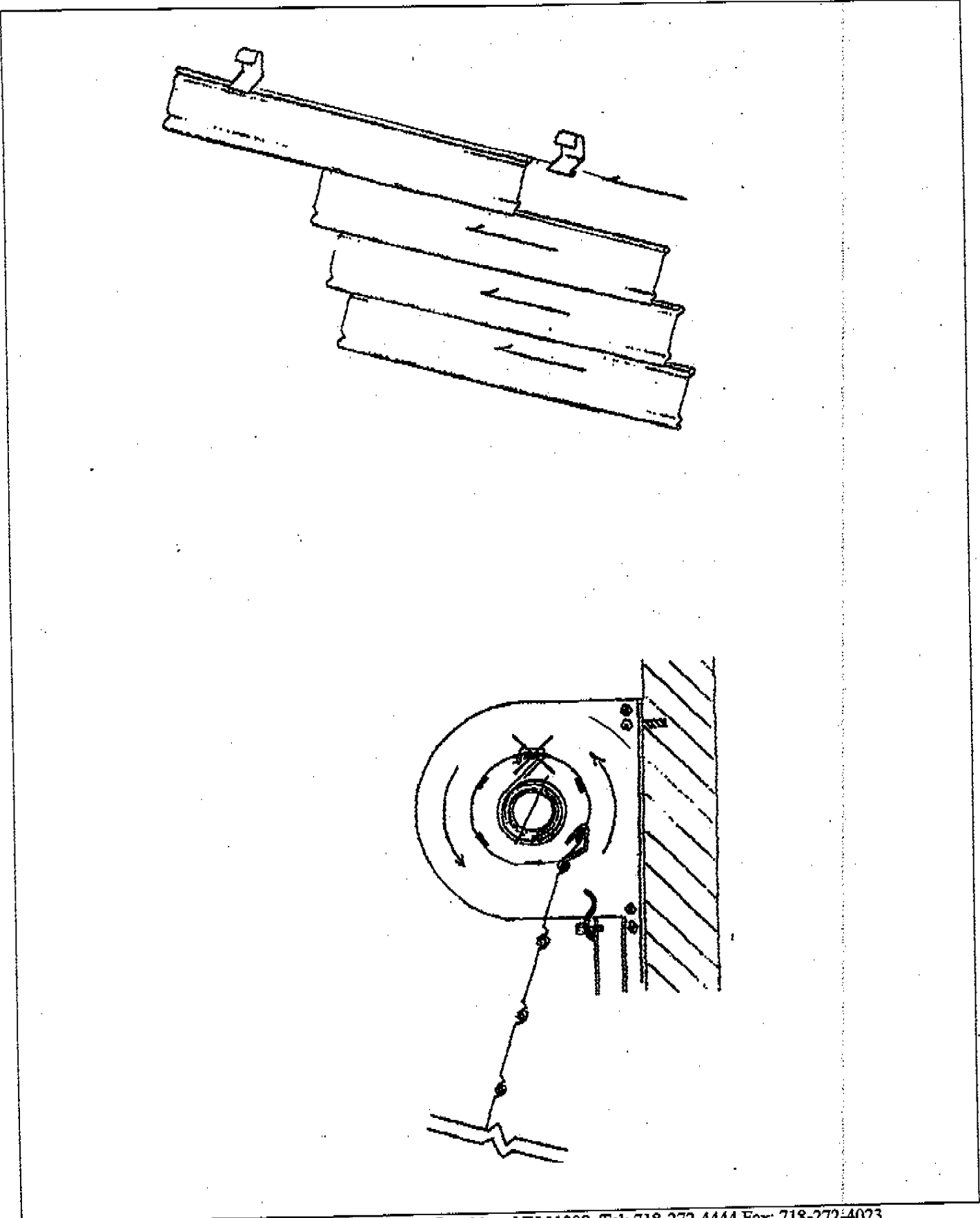
Rolling Steel Industries 693 Atkins Avenue, Brooklyn, NY 11208 Tel: 718-272-4444 Fax: 718-272-4023

Band Spring Installation (STEP 2)



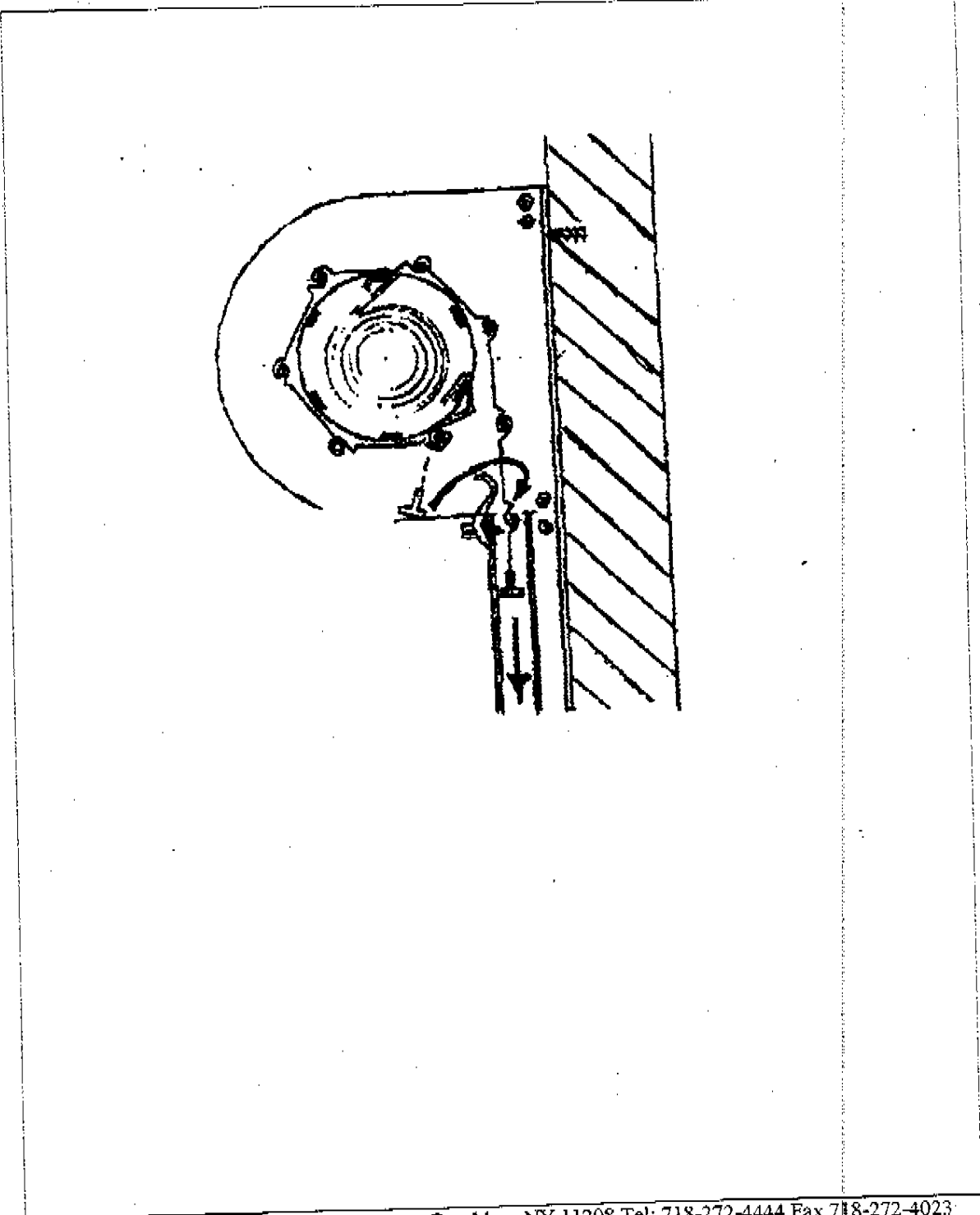
Rolling Steel Industries 693 Atkins Avenue, Brooklyn, NY 11208 Tel: 718-272-4444 Fax: 718-272-4023

Band Spring Installation (STEP 3)



Rolling Steel Industries 693 Atkins Avenue, Brooklyn, NY 11208 Tel: 718-272-4444 Fax: 718-272-4023

Band Spring Installation (STEP 4)



Rolling Steel Industries 693 Atkins Avenue, Brooklyn, NY 11208 Tel: 718-272-4444 Fax 718-272-4023

Band Spring Installation (STEP 5)